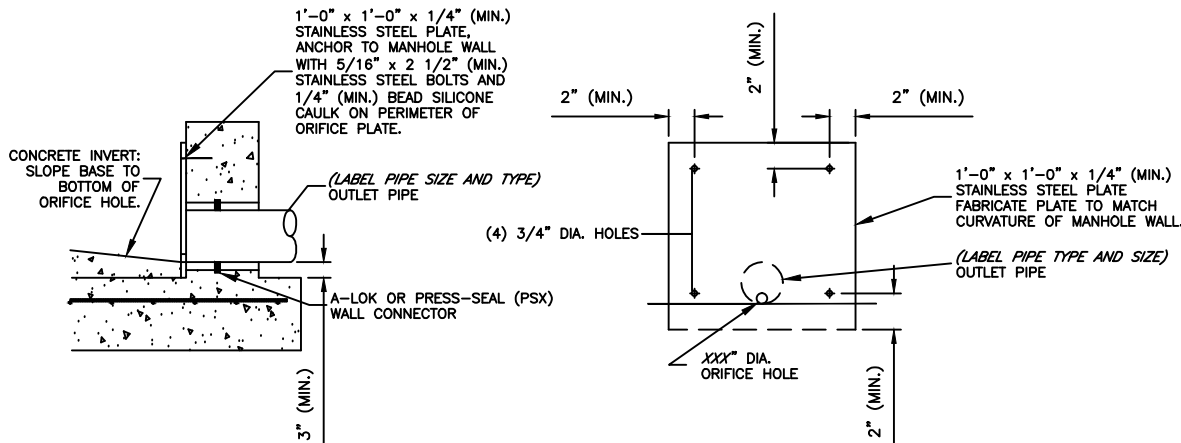


ORIFICE MH DETAIL

**GENERAL NOTES:**

1. REINFORCEMENT IN ALL SECTIONS SHALL EQUAL OR EXCEED A.S.T.M. C-478 SPECIFICATIONS. ALL MANHOLE BOTTOM SECTIONS SHALL BE MONOLITHICALLY FORMED BETWEEN THE BASE AND WALL WITH NO. 4 REINFORCING BARS PLACED ON 12" CENTERS BOTH WAYS.
2. THE INSIDE DIAMETER OF THE MANHOLE SHALL BE 4'-0" MINIMUM.
3. ALL JOINTS AT THE FRAME & COVER, CONCRETE ADJUSTMENT RINGS, BARREL SECTIONS, AND THE BASIN LID SHALL BE SEALED WITH A MINIMUM OF TWO (2) ROWS OF 3/4 TO 1 INCH PRE-FORMED BUTYL JOINT SEALER AND A 6" BUTYL JOINT WRAP AROUND SLEEVE (EZ WRAP). THE ENDS OF WHICH SHALL OVERLAP BY 12".
4. BUTYL JOINT SEALER MATERIAL SHALL BE USED AT ALL SECTION JOINTS. O-RINGS MAY BE USED FOR JOINTS BELOW THE CONE SECTION, BUT THE CONE SECTION ITSELF SHALL NOT HAVE O-RING JOINTS.
5. ALL STANDARD MANHOLE RINGS AND COVERS TO BE DEETER 1315-JCS, NEENAH NF-15360009/B (FRAME) AND NF-15360010/B (COVER), OR APPROVED EQUAL. THE MANHOLE LID SHALL NOT BEAR THE JCW SUNFLOWER LOGO.
6. ALL MANHOLE RINGS TO BE PLACED IN PAVEMENT OR IN AREAS TO BE SUBSEQUENTLY PAVED SHALL HAVE "MACHINED HORIZONTAL BEARING SURFACES" AND SHALL COMPLY WITH CLASS #25 AS ESTABLISHED IN ASTM A-48.
7. MAXIMUM GRADE ADJUSTMENT ALLOWABLE IS 12". MINIMUM ALLOWABLE THICKNESS FOR PRECAST CONCRETE GRADE ADJUSTMENT RING IS 2".
8. ORIFICE BASIN SHALL BE VACUUM TESTED FOR WATER TIGHTNESS AFTER THE BACKFILL OPERATIONS HAVE BEEN COMPLETED IN ACCORDANCE WITH JCW TECHNICAL SPECIFICATIONS.



ORIFICE PLATE DETAIL

		11811 S. SUNSET DRIVE, STE 2500	
		OLATHE, KS 66061	
		Phone : (913) 715-8500	
		Fax : (913) 715-8501	
Drawn:	K. FIGGE	Date:	8/12/08
Checked:	J. HARDER	Date:	8/12/08
Approved:	J. METZLER	Date:	8/12/08
Title:		ORIFICE MH DETAIL	
Project :		JOHNSON COUNTY WASTEWATER STANDARD DRAWING	
Scale:	N.T.S.	Project #	0001
		Sheet:	1 of 1

NO.	REV.	DATE	DESCRIPTION
1		1/10/11	REVISION TO BUTYL JOINT SEALER